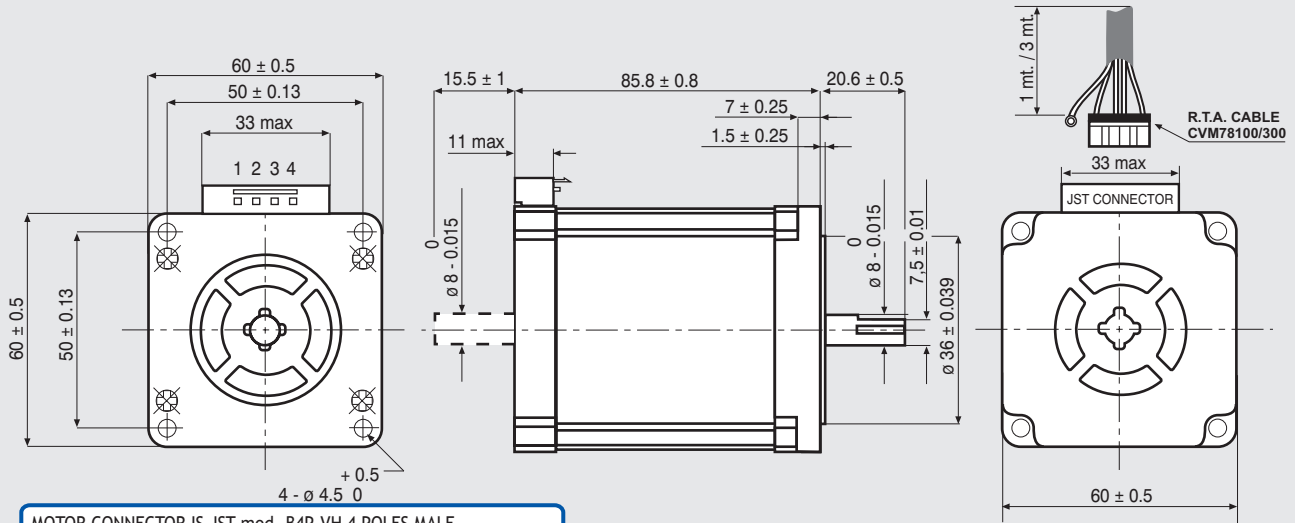


# 103-H7823-1740

SANYO DENKI  
SANMOTION

## Dimensions (Unit:mm)



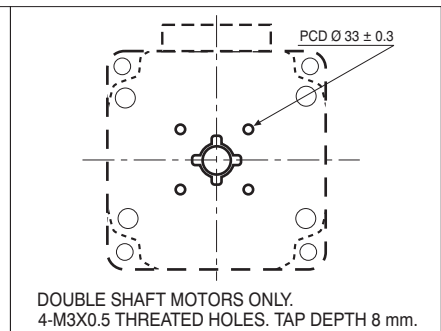
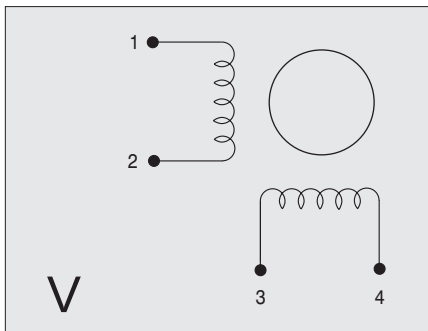
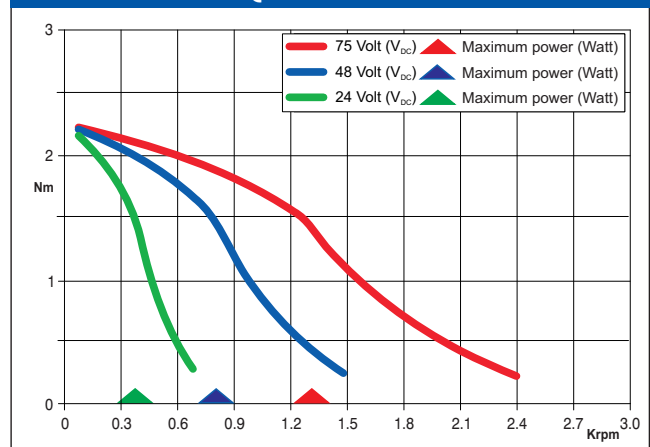
MOTOR CONNECTOR IS JST mod. B4P-VH 4 POLES MALE.  
FOR CONNECTION USE JST mod. VHR-4N FEMALE CONNECTOR AND  
mod. SVH-21 T-P1.1 CONTACTS.  
NOTE: 103-H7823-1740 MOTORS NEED CVM78100 AND CVM78300  
R.T.A. CABLES. CONTACT R.T.A. FOR FURTHER DETAILS.

## FEATURES

MODEL	103-H7823-1740 (103-H7823-1714)
BASIC STEP ANGLE	1.8° ± 0.09°
BIPOLAR CURRENT (Amp)	4.0
UNIPOLAR CURRENT (Amp)	
RESISTANCE (Ohm)	0.65
INDUCTANCE (mH)	2.4
BIPOLAR HOLDING TORQUE (Ncm)	300
UNIPOLAR HOLDING TORQUE (Ncm)	
ROTOR INERTIA (Kg·m <sup>2</sup> × 10 <sup>-7</sup> )	840
THEORETICAL ACCELERATION (rad × sec. <sup>-2</sup> )	35700
BACK E.M.F. (V/Krpm)	75
MASS (Kg)	1.4
LEADS CODE	V

Codes between brackets refer to double shaft models.  
Le sigle fra parentesi si riferiscono ai modelli bialbero.

## TORQUE/SPEED CURVE



R.T.A. s.r.l. PAVIA (ITALY) SANYO DENKI CO., Ltd (JAPAN)

EIMC - 10-14

Suggested R.T.A. drivers: CSD/J/A-CSD Series, NDC/A-NDC Series, ADW Series, HGD Series, PLUS Series



R.T.A. s.r.l.  
Via E. Mattei - Fraz. Divisa  
27020 MARCIGNAGO (PV) ITALY  
Tel. +39.0382.929.855 - Fax +39.0382.929.150  
www.rta.it

R.T.A. Deutschland GmbH  
Bublitzer Straße 34  
40599 DÜSSELDORF (Germany)  
Tel. +49.211.749.668.60 - Fax +49.211.749.668.66  
www.rta-deutschland.de

R.T.A. IBERICA-Motion Control Systems S.L.  
C/Generalitat 22, 1° 3°  
08850 GAVA - BARCELONA (Spain)  
Tel. +34.936.388.805 - Fax +34.936.334.595  
www.rta-iberica.es